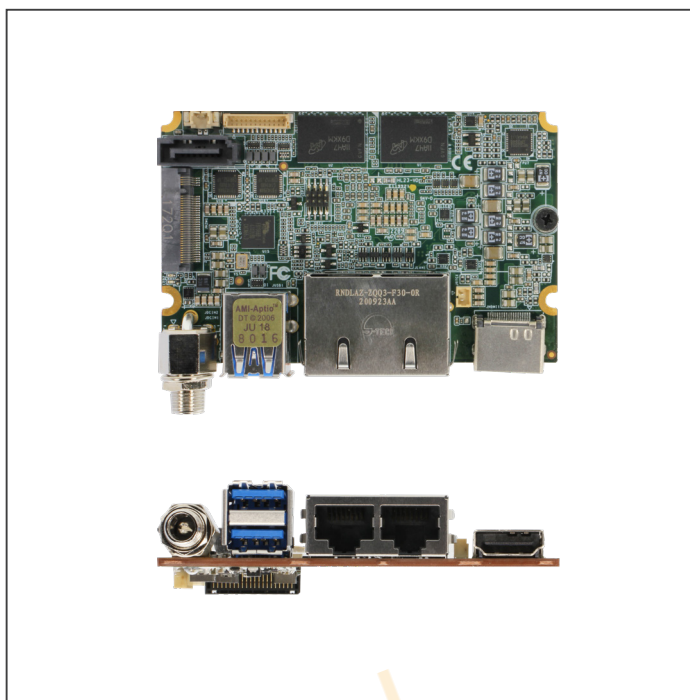


de next-V2K8

86 x 55mm Single Board with AMD Ryzen™ Embedded V2000 Series Processor

Distributed by:



Features

- Onboard AMD Ryzen™ Embedded V2000 Processor
- Onboard LPDDR4x 3200 up to 16GB
- HDMI 1.4b x 1, eDP x 1
- 2.5 GbE RJ45 x 1, GbE RJ45 x 1
- USB 3.2 Gen2 x 2, USB 2.0 x 4
- M.2 M key 2280 (PCIe[x2]) x 1, PCIe[x4] Gen3 x 1 (by FPC)
- COM Port x 2, DIO 8 bit, SATA 3 x 1
- DC Jack. 12V in

Specifications

SYSTEM	
FORM FACTOR	86mm x 55mm, Single board computer
CPU	AMD Ryzen™ Embedded V2718 with Radeon™ Graphics, AMD Ryzen™ Embedded V2516 with Radeon™ Graphics
CPU TDP	10W, TDP-up to 25W : V2718 / V2516
CHIPSET	Integrated with AMD Ryzen™ Embedded SoC
MEMORY TYPE	Onboard LPDDR4x 3200, up to 16GB
BIOS	UEFI
WAKE ON LAN	Yes
WATCHDOG TIMER	255 Levels
SECURITY	fTPM
RTC Battery	Lithium Battery 3V/240mAh
DIMENSION (L X W)	3.38" x 2.17" (86 mm x 55 mm)
POWER	
POWER REQUIREMENT	DC in +12V
POWER SUPPLY TYPE	AT/ATX
CONNECTOR	DC Jack (Optional : 2pin Phoenix Connector)
POWER CONSUMPTION	AMD Ryzen™ V2718 Processor, LPDDR4 3200MHz16GB, 3.92A@12V, 47.04W during full loading test (Peak) AMD Ryzen™ V2718 Processor, LPDDR4 3200MHz16GB, 3.07A@12V, 36.84W during full loading test (Steady)
DISPLAY	
CONTROLLER	AMD Radeon™ Graphics
LVDS/eDP	eDP only, up to 3840 X 2160 Resolution
Display Interface	eDP x 1 HDMI 1.4b x 1
Multiple Display	Up to 2 Simultaneous Displays
AUDIO	
CODEC	—
AUDIO INTERFACE	—
Speaker	—
EXTERNAL I/O	
ETHERNET	REALTEK RTL8111H, 10/100/1000Base, RJ-45 x1, Intel® i225LM, 10/100/2500Base, RJ-45 x1
USB	USB3.2 Gen 2 x 2 (Type A)
SERIAL PORT	—
VIDEO	HDMI 1.4b x 1
INTERNAL I/O	
USB	USB2.0 x 4 (pin header)
SERIAL PORT	COM Port (RS232/422/485) x 2 (pin header)

VIDEO	eDP x 1
SATA	SATA3 x 1 +5V SATA Power Connector x 1
AUDIO	—
DIO/GPIO	8-Bit (pin header)
SMBus/I2C	Optional
Touch	—
FAN	Smart Fan x1
SIM	—
Front Panel	HDD LED, PWR LED, Power Button, Buzzer, Reset
Others	—
EXPANSION	
Mini PCI-E/mSATA	—
M.2	M-Key 2280 x 1 (PCIe[x2])
Others	—
ENVIRONMENT & CERTIFICATION	
OPERATING TEMP	32°F ~ 140°F (0°C ~ 60°C)
STORAGE TEMP	-40°F ~ 176°F (-40°C ~ 80°C)
OPERATING HUMIDITY	0% ~ 90% relative humidity, non-condensing
MTBF (HOURS)	609,263
EMC	CE/FCC Class A

Optional Accessories

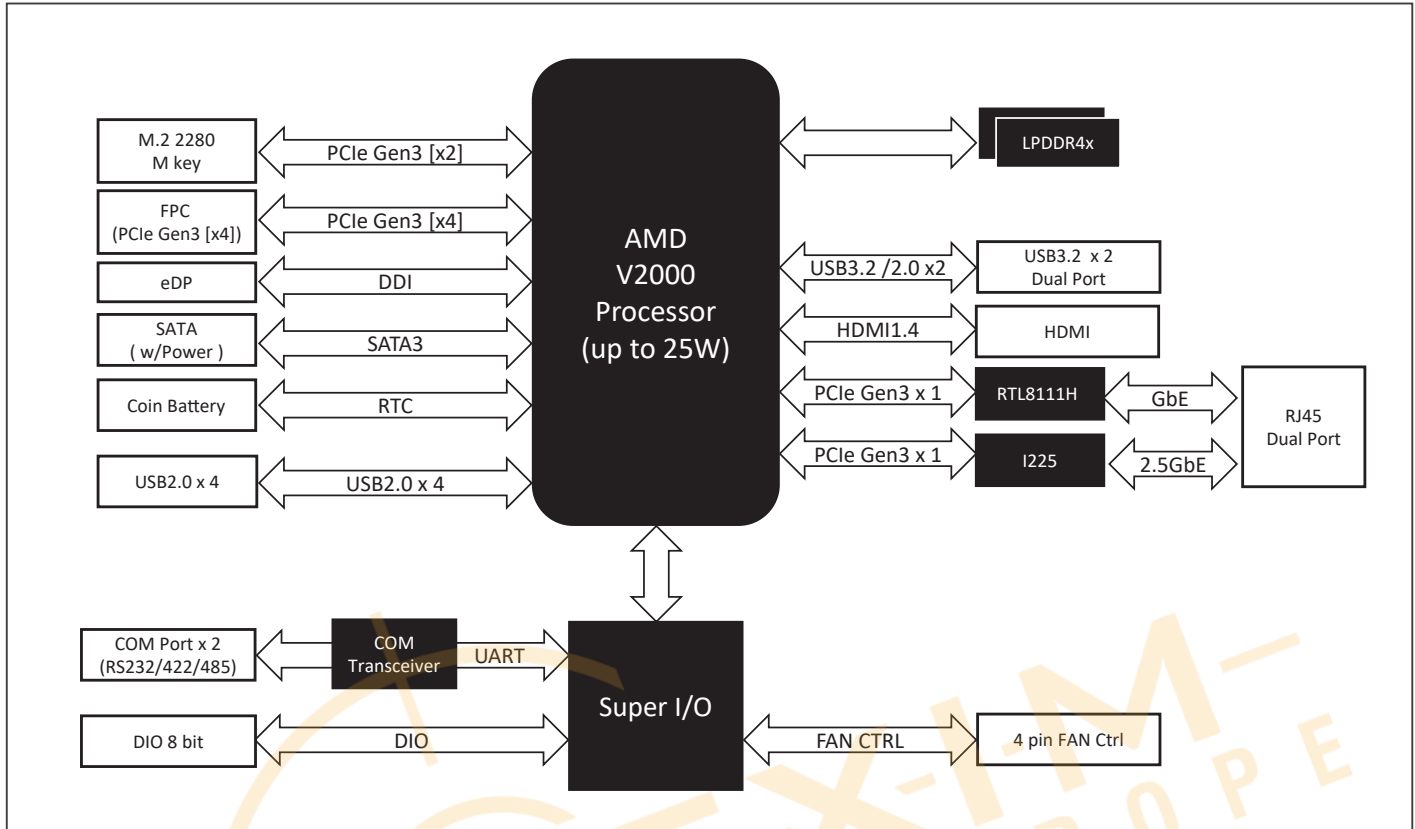
- **170X000512**
de next 40 pin cable for USB2.0 x 4, COM Port x 2, DIO 8 bit
- **170X000603**
Front Panel Cable for de next use.Length 10 cm
- **1709070200**
SATA Cable,180D.Length 20cm
- **170X000322**
SATA Power Cable.Length 6cm
- **DENEXT-FAN01**
CPU cooler for de next-TG08 / de next-V2K8

Packing List

- de next-V2K8 x 1
- Copper Stud.M2.5 x 4

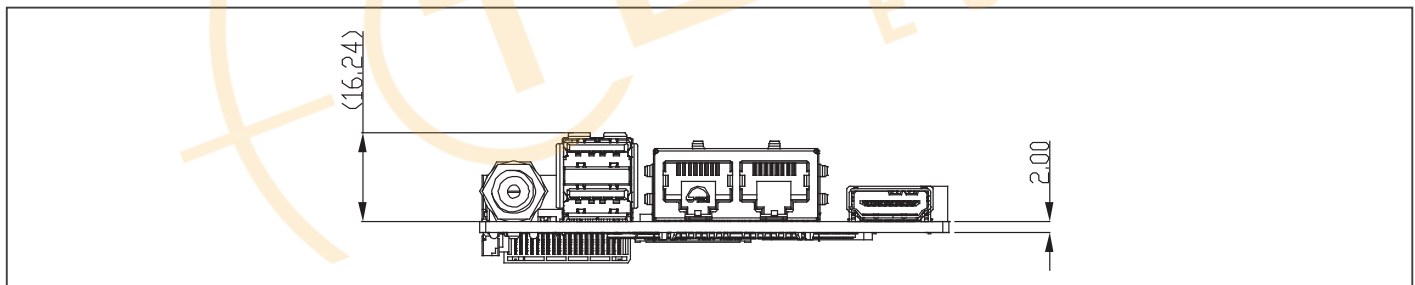
Note: All specifications are subject to change without notice.

Block Diagram



Dimension

Unit: mm



Ordering Information

PART NUMBER	CPU	MEMORY	THERMAL	DISPLAY	STORAGE	LAN	USB	RS-232	RS-232/422/485	EXPANSION SLOT	POWER	OPERATING TEMP	OTHERS
DENEXT-V2K8-A10-0001	V2718	Onboard LPDDR4x 16GB	Fan	eDP x 1, HDMI x 1	SATA3 x 1	2.5GbE x 1, GbE x 1	USB 3.2 Gen 2 x 2, USB 2.0 x 4	—	2	M.2 M key 2280 x 1	+12V in (DC Jack)	0°C ~ 60°C	DIO 8 bit
DENEXT-V2K8-A10-0002	V2516	Onboard LPDDR4x 16GB	Fan	eDP x 1, HDMI x 1	SATA3 x 1	2.5GbE x 1, GbE x 1	USB 3.2 Gen 2 x 2, USB 2.0 x 4	—	2	M.2 M key 2280 x 1	+12V in (DC Jack)	0°C ~ 60°C	DIO 8 bit

Note: All specifications are subject to change without notice.

Disclaimer

ALL PRODUCTS, PRODUCT SPECIFICATIONS AND DATA ARE SUBJECT TO CHANGE WITHOUT NOTICE TO IMPROVE RELIABILITY, FUNCTION OR DESIGN OR OTHERWISE.

Texim Europe B.V. its affiliates, agents, and employees, and all persons acting on its or their behalf (collectively, "Texim"), disclaim any and all liability for any errors, inaccuracies or incompleteness contained in any datasheet or in any other disclosure relating to any product.

Texim makes no warranty, representation or guarantee regarding the suitability of the products for any particular purpose or the continuing production of any product.

It is the customer's responsibility to validate that a particular product with the properties described in the product specification is suitable for use in a particular application.

Parameters provided in datasheets and / or specifications may vary in different applications and performance may vary over time.

All operating parameters, including typical parameters, must be validated for each customer application by the customer's technical experts.

Please contact us if you have any questions about the contents of the datasheet.

This may not be the latest version of the datasheet. Please check with us if a later version is available.





Headquarters & Warehouse

Elektrostraat 17
NL-7483 PG Haaksbergen
The Netherlands

T: +31 (0)53 573 33 33
E: info@texim-europe.com
Homepage: www.texim-europe.com



The Netherlands

Elektrostraat 17
NL-7483 PG Haaksbergen

T: +31 (0)53 573 33 33
E: nl@texim-europe.com



Belgium

Zuiderlaan 14, box 10
B-1731 Zellik

T: +32 (0)2 462 01 00
E: belgium@texim-europe.com



UK & Ireland

St Mary's House, Church Lane
Carlton Le Moorland
Lincoln LN5 9HS

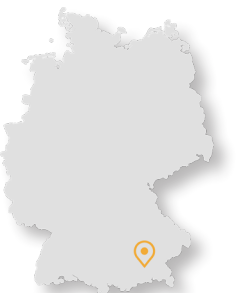
T: +44 (0)1522 789 555
E: uk@texim-europe.com



Germany - North

Bahnhofstrasse 92
D-25451 Quickborn

T: +49 (0)4106 627 07-0
E: germany@texim-europe.com



Germany - South

Martin-Kollar-Strasse 9
D-81829 München

T: +49 (0)89 436 086-0
E: muenchen@texim-europe.com



Austria

Warwitzstrasse 9
A-5020 Salzburg

T: +43 (0)662 216 026
E: austria@texim-europe.com



Nordic

Søndre Jagtvej 12
DK-2970 Hørsholm

T: +45 88 20 26 30
E: nordic@texim-europe.com



Italy

Via Matteotti 43
IT-20864 Agrate Brianza (MB)

T: +39 (0)39 9713293
E: italy@texim-europe.com